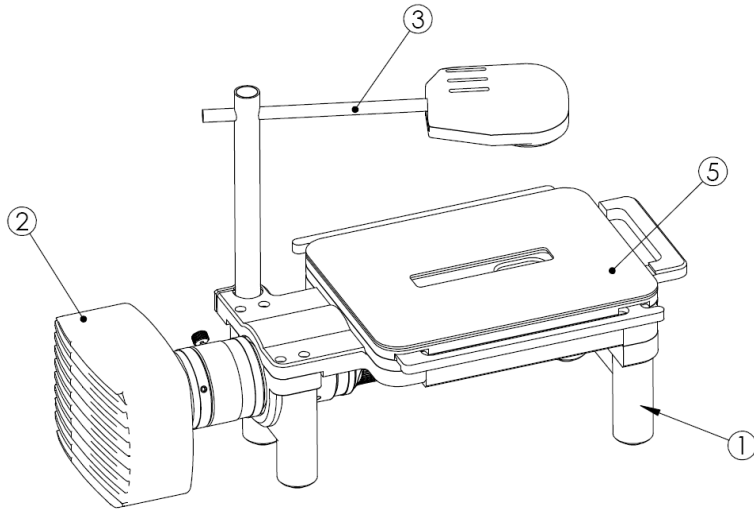


Product Specifications



USB Mini-Microscope:

System Magnification	0.71-4.5x optical (0.104 NA), up to 10x digital zoom
Field of View	2.7 x 2.7 (mm)
Size (W x D x H)	29.2 x 15.2 x 14 (cm) / 11.5 x 6 x 5.5 (in)
Weight	2.27 (kg) / 5 (lbs)
Stage Adaptor	Standard well-plate size
Stage Travel	Fixed
Lighting source	Daylight white LED
Sensor Type	1/2" CCD
Effective Pixels	1392 x 1040, 1.4 megapixels
Frame Rate	15 fps at 1392 x 1040
Dynamic Range	67 dB
Digital Output	8 and 12 bit
Pixel Size	4.65 x 4.65 (µm)
Full Well Capacity	>18,000 electrons
Read Noise	12 e- rms
Interface	USB 2.0
Image Formats	TIFF, JPG, BMP

Carrying Case:

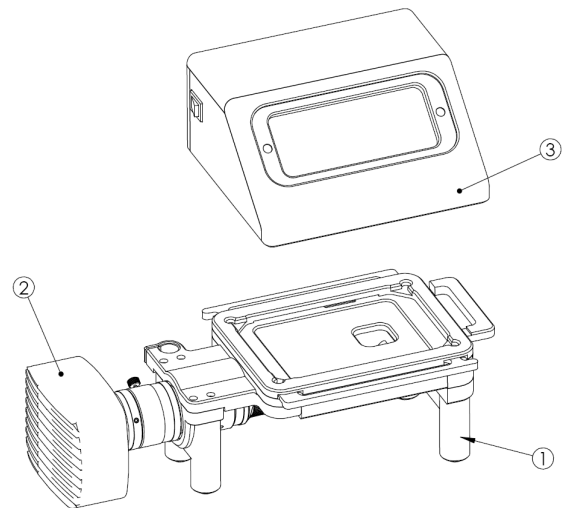
Size (L x W x H)	457 x 330 x 213 (mm) / 19.2 x 15.2 x 9 (in)
Weight	3.4 (kg) / 7.4 (lbs)

Computer:

Model	Lenovo Ideapad S10-2
Operating System	Microsoft Windows XP Home Service Pack 3
Memory	1 GB RAM
Hard Drive	160 GB
USB 2.0 Ports	3
AC/DC Power Adapter	100-240V @ 50-60Hz
Software	cellTRAY® Manager

Item	Mini zoom microscope with flat top and light
1	Mini microscope zoom base
2	Camera
3	Mini microscope lamp
4	Lamp power supply (not illustrated)
5	Flat top insert
6	Carrying case (not illustrated)

NOTE: Variable focus, full zoom range working distance 0.5-3mm above top surface of item 5.



Item	Mini zoom microscope with optional cover
1	Mini microscope zoom base
2	Camera
3	Cover

For more information contact sales@nanopointimaging.com

HNU-NANOPPOINT*
Harnessing the Power of Light

350 Ho'ohana Street
Kahului, Hawaii 96732
808.244.7800

www.nanopointimaging.com